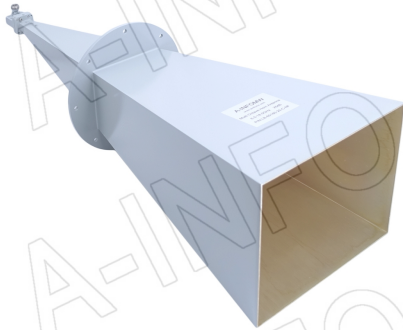


For reference only. See data sheet for the detailed specifications.

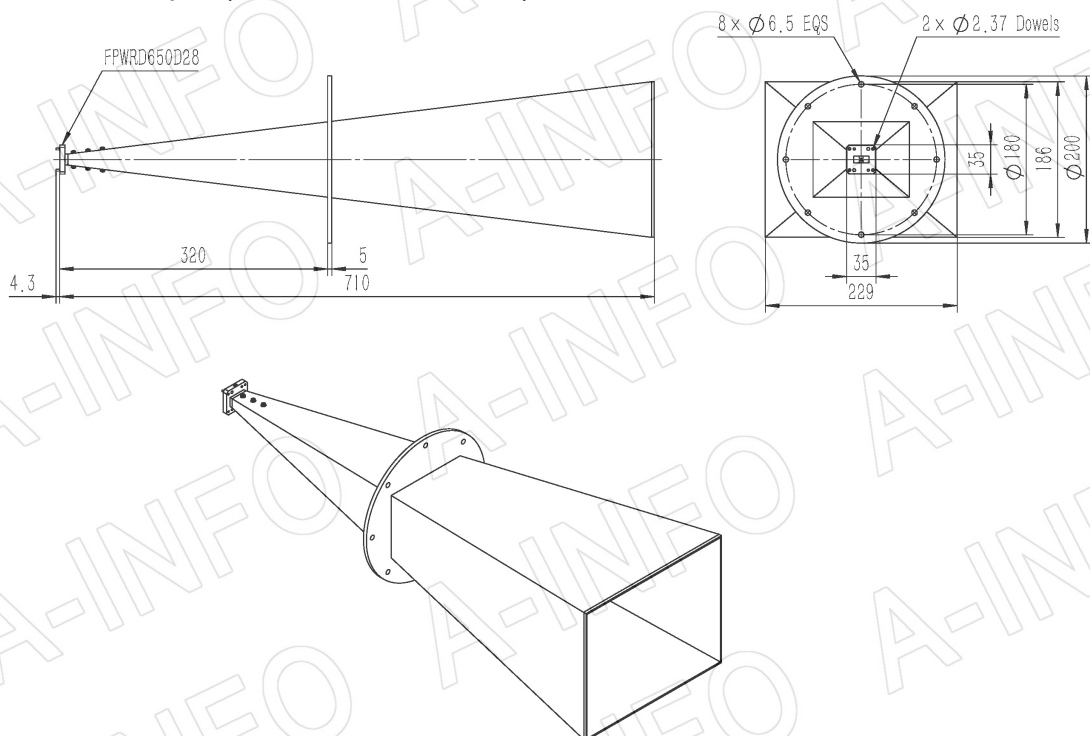
Technical Specification



Frequency Range(GHz)	6.0 – 18.0
Gain(dBi)	25 Typ.
Polarization	Linear
3dB Beamwidth(deg)	E Plane: 14 – 5
	H Plane: 15 – 6
Cross Pol. Isolation(dB)	30 Typ.
VSWR	1.50:1 Typ.
Output	A Type: FPWRD650D28 N-Female
	C Type: or SMA-Female or High Power N-Female
Power Handling(W CW)	N-F: 150 Max.
	SMA-F: 50 Max.
	HP N-F: 500 Max.
Material	Al
Finish	Passivation and Chemical Conversion Coating, Gray Paint
Size(mm)	A Type: 229 x 200 x 710
	C Type: 229 x 200 x 746
Net Weight(Kg)	A Type: 2.40 Around
	C Type: 2.57 Around

Outline Drawing (Size: mm)

FPWRD650D28 Output (P/N: LB-60180-25-A)



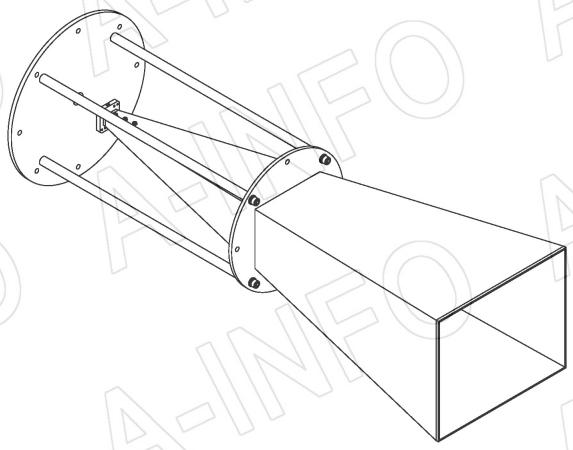
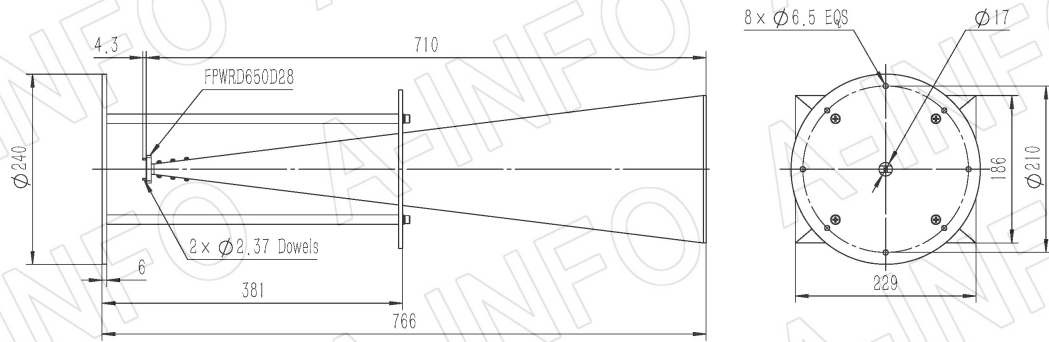
AINFO Inc.

China(Beijing): Tel: (+86) 10-6266-7326,
China(Chengdu): Tel: (+86) 28-8519-2786,
USA: Tel: (+1) 949-639-9688,

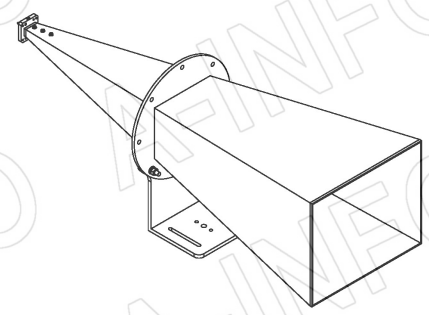
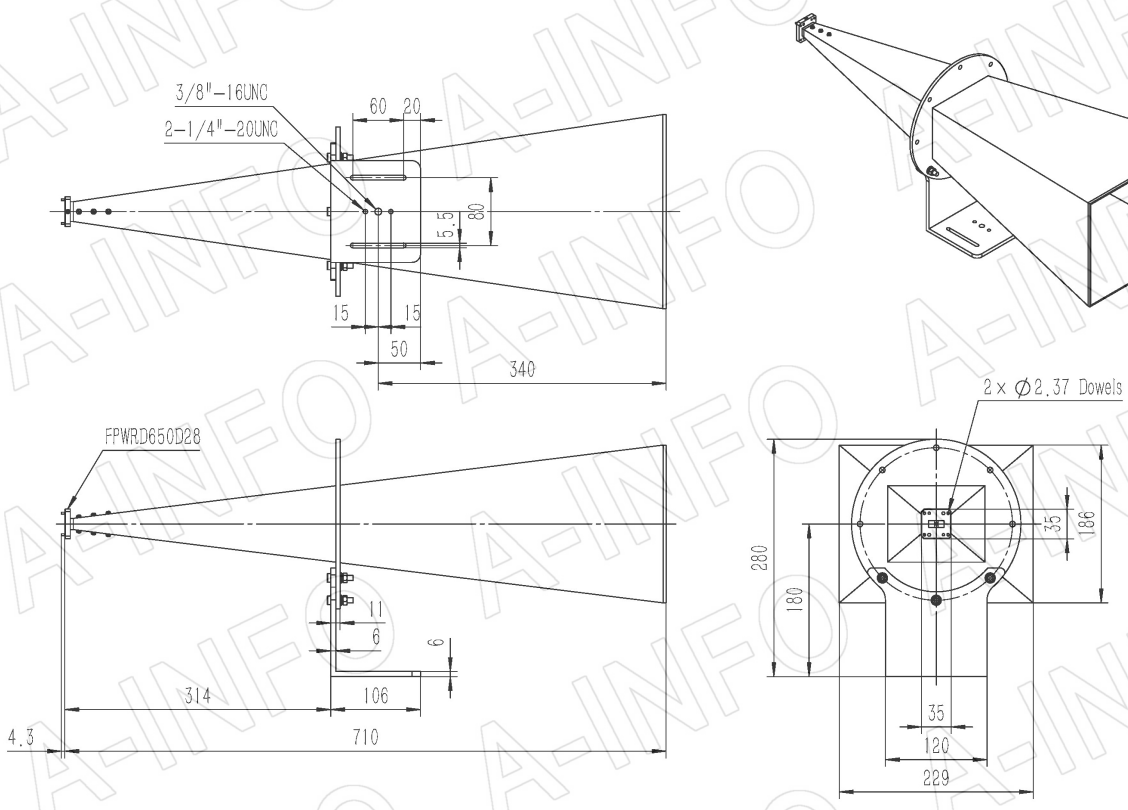
(+86) 10-6266-7327 Fax: (+86) 10-6266-7379
(+86) 28-8519-3044 Fax: (+86) 28-8519-3068
(+1) 949-639-9608 Fax: (+1) 949-639-9670

Website: www.ainfoinc.com
Email: sales@ainfoinc.com

FPWRD650D28 Output with Round Mounting Bracket (Option, P/N: LB-90-25-MB2)

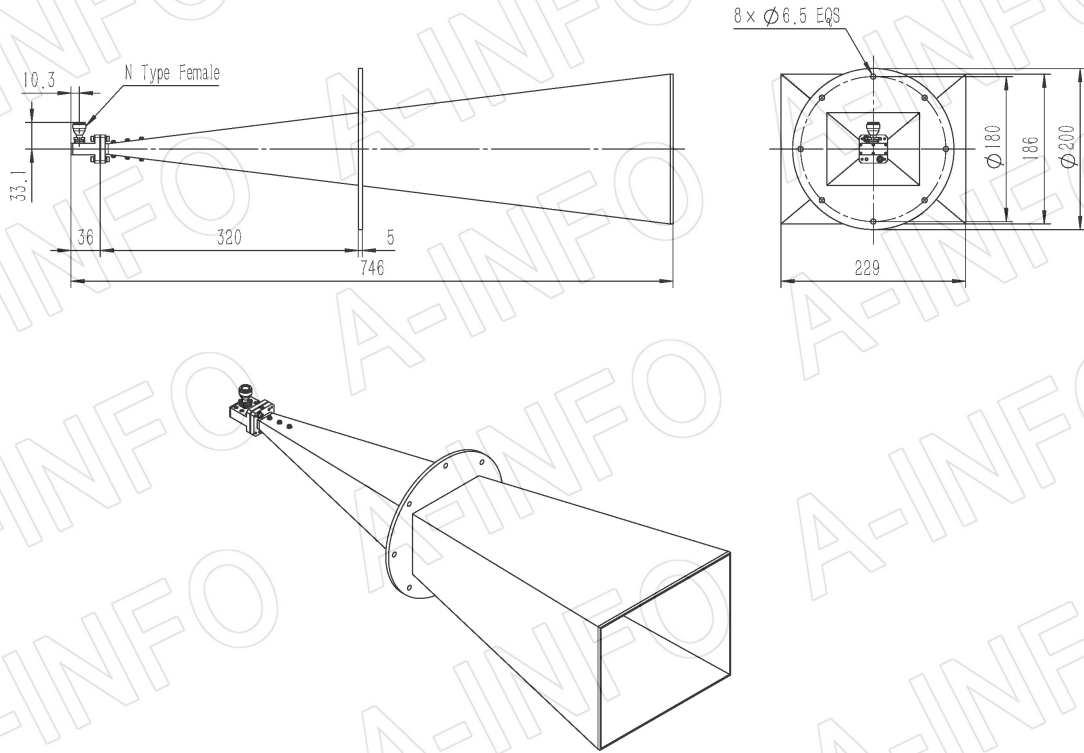


FPWRD650D28 Output with L Type Mounting Bracket (Option, P/N: LB-90-25-L2)



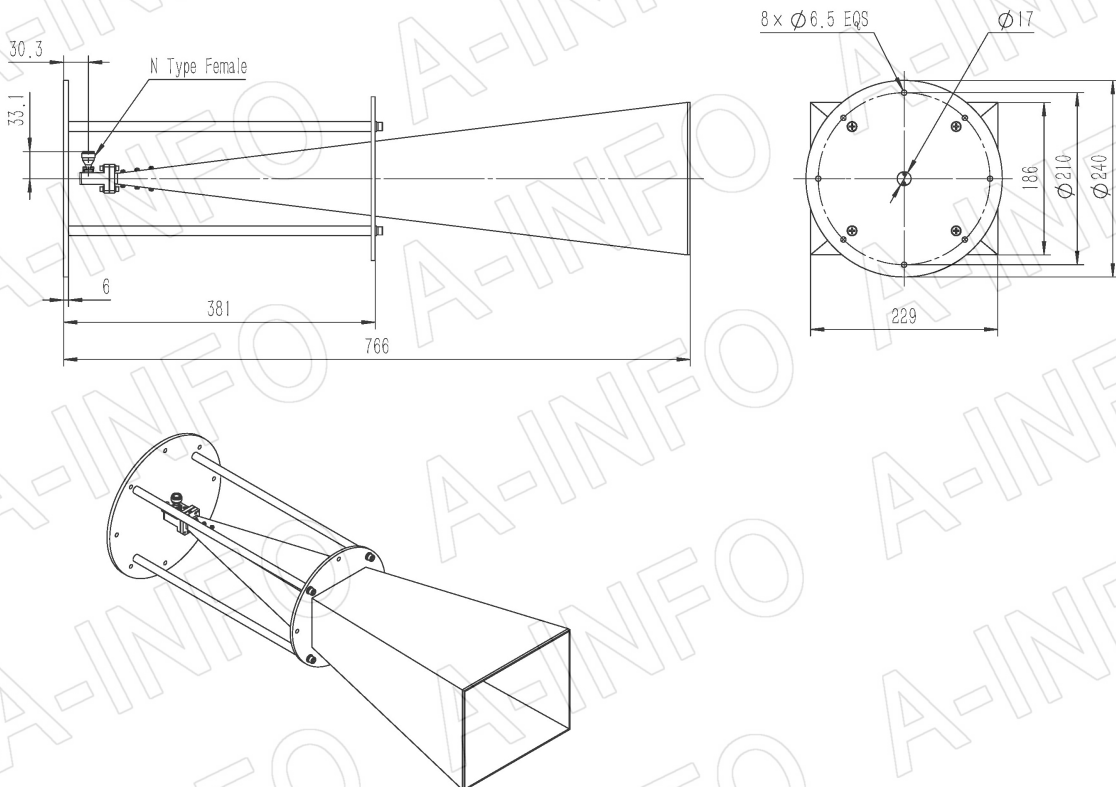
N-Female Output (P/N: LB-60180-25-C-NF)

For SMA-Female or High Power N-Female output outline drawing, please contact A-INFO.



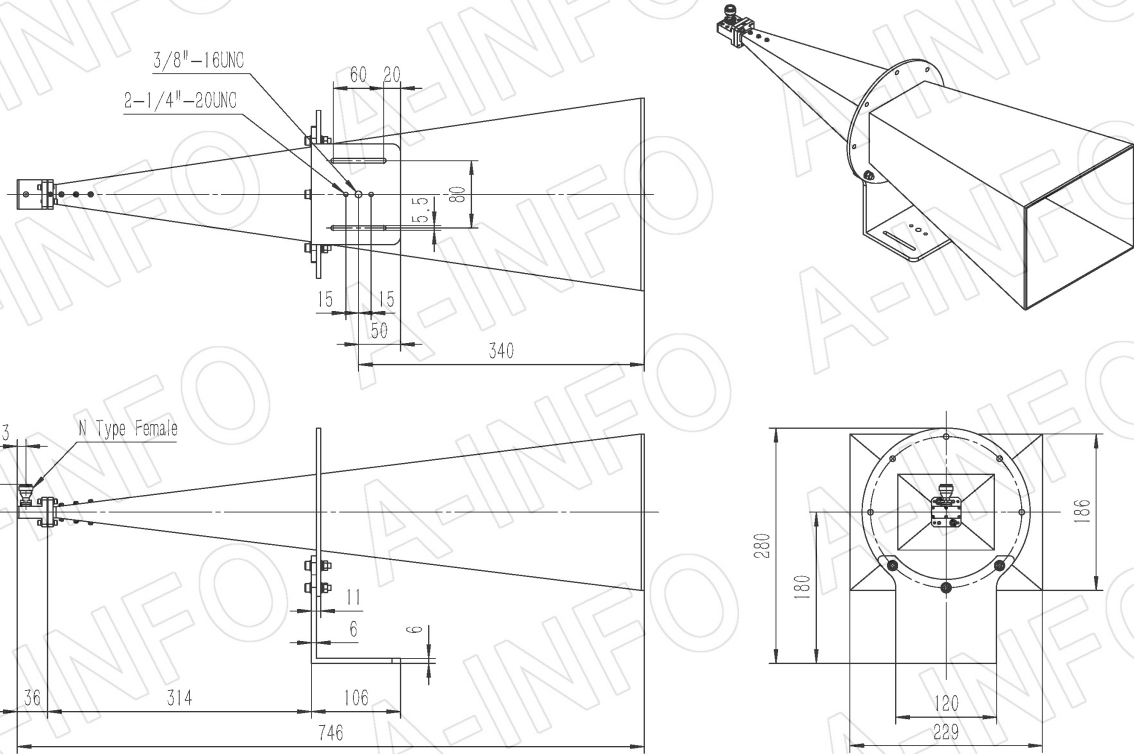
N-Female Output with Round Mounting Bracket (Option, P/N: LB-90-25-MB2)

For SMA-Female or High Power N-Female output outline drawing, please contact A-INFO.

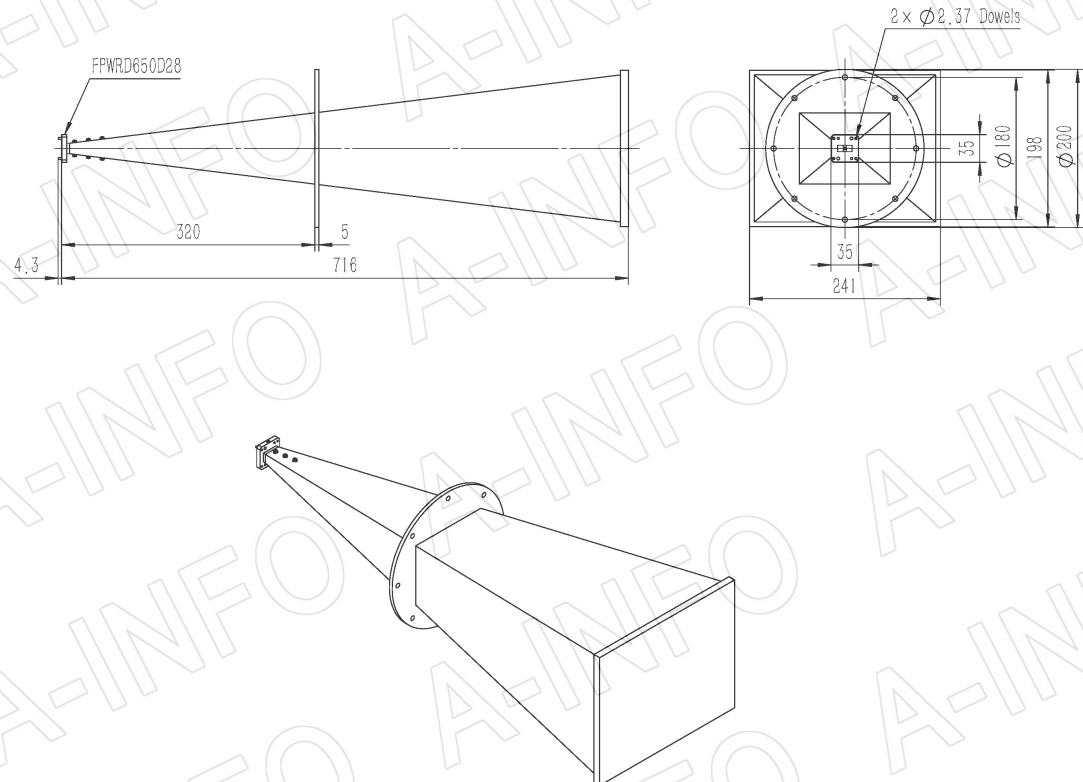


N-Female Output with L Type Mounting Bracket (Option, P/N: LB-90-25-L2)

For SMA-Female or High Power N-Female output outline drawing, please contact A-INFO.

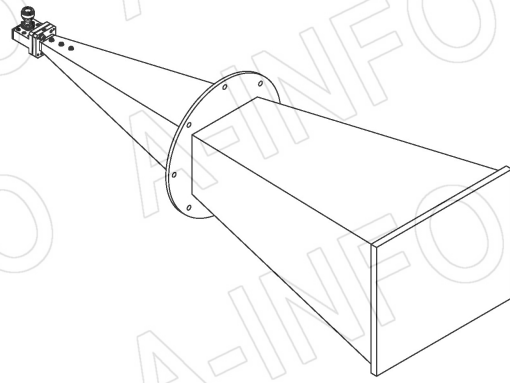
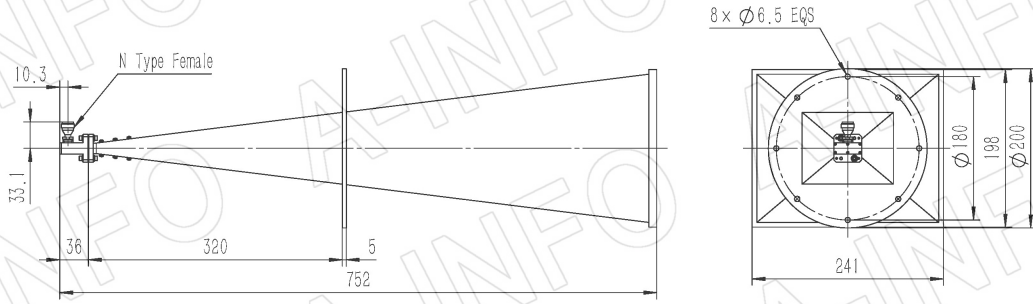


FPWRD650D28 Output with Radome (Option, P/N: LB-60180-25-ASPO, Application Outdoor)



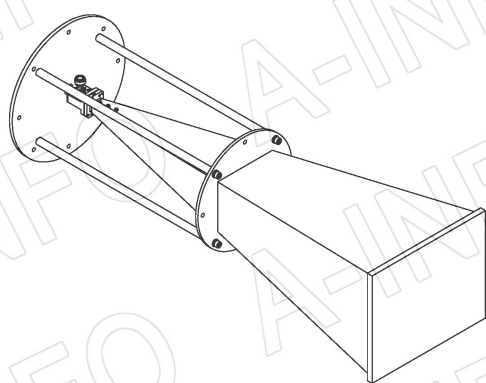
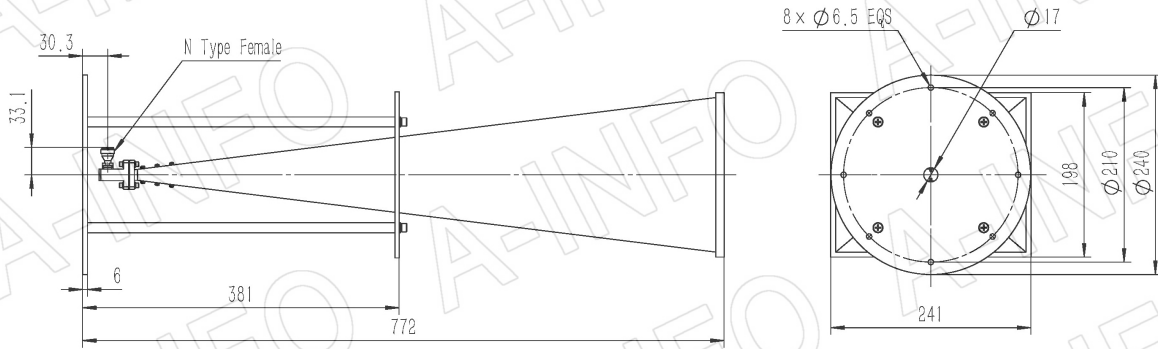
N-Female Output with Radome (Option, P/N: LB-60180-25-C-NFSP0, Application Outdoor)

For SMA-Female or High Power N-Female output outline drawing, please contact A-INFO.



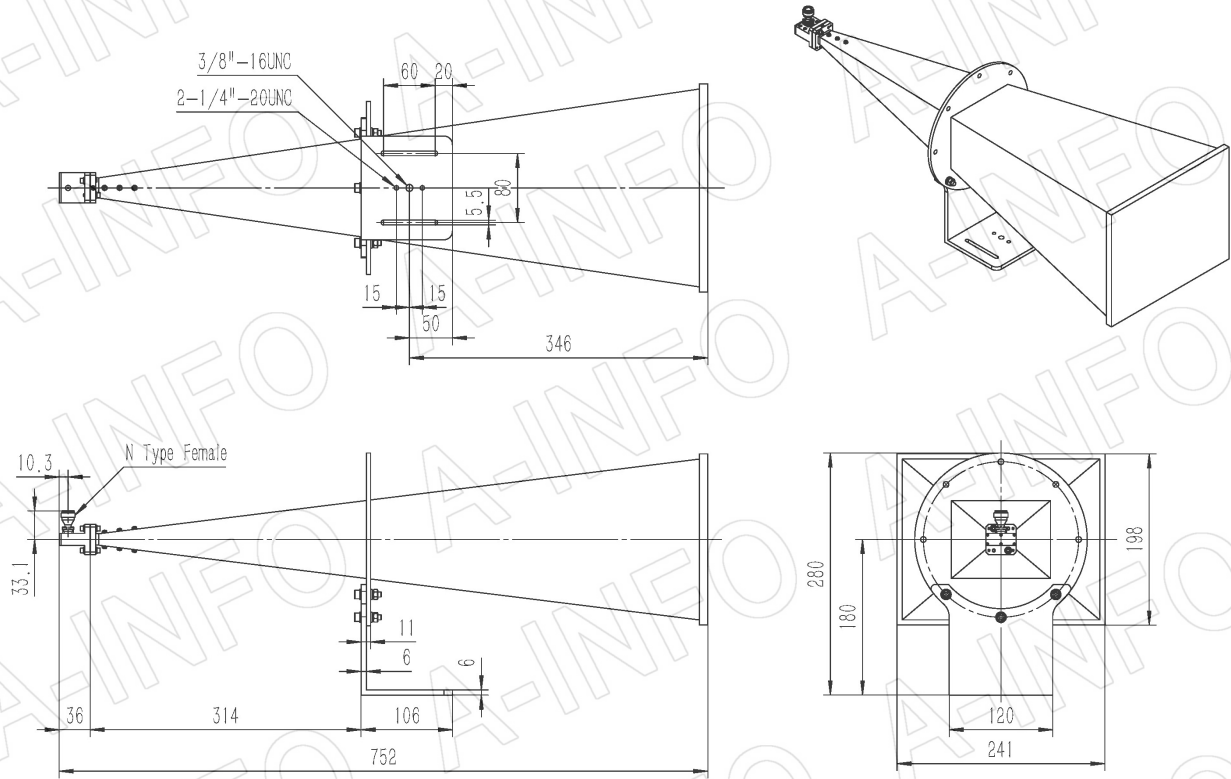
N-Female Output with Round Mounting Bracket & Radome (Option, P/N: LB-90-25-MB2 & LB-60180-25-C-NFSP0, Application Outdoor)

For SMA-Female or High Power N-Female output outline drawing, please contact A-INFO.



N-Female Output with L Type Mounting Bracket & Radome (Option, P/N: LB-90-25-L2 & LB-60180-25-C-NFSPO, Application Outdoor)

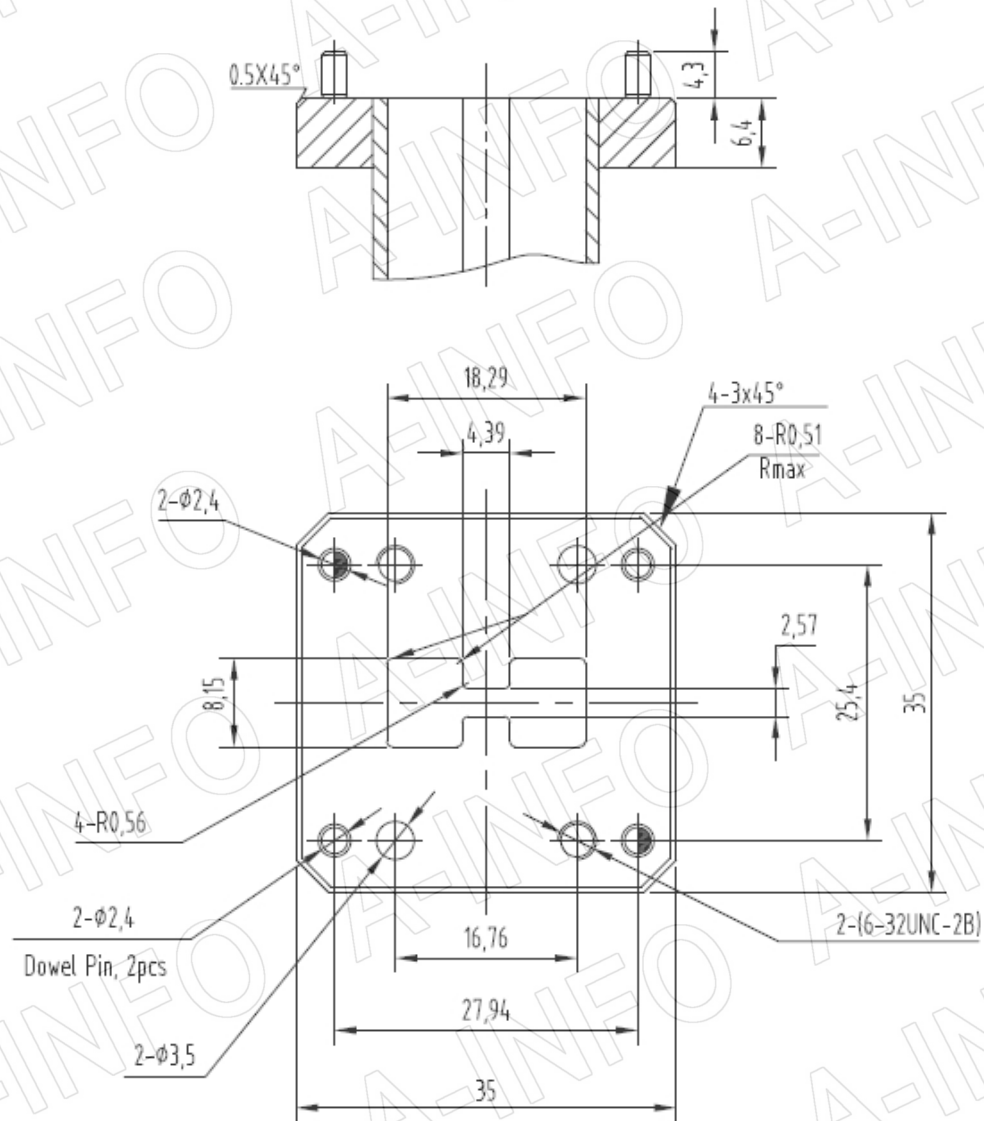
For SMA-Female or High Power N-Female output outline drawing, please contact A-INFO.



Flange Drawing (Size: mm)

FPWRD650D28

(With two through mounting holes and two screws holes)



AINFO Inc.

China(Beijing): Tel: (+86) 10-6266-7326,
 China(Chengdu): Tel: (+86) 28-8519-2786,
 USA : Tel: (+1) 949-639-9688,

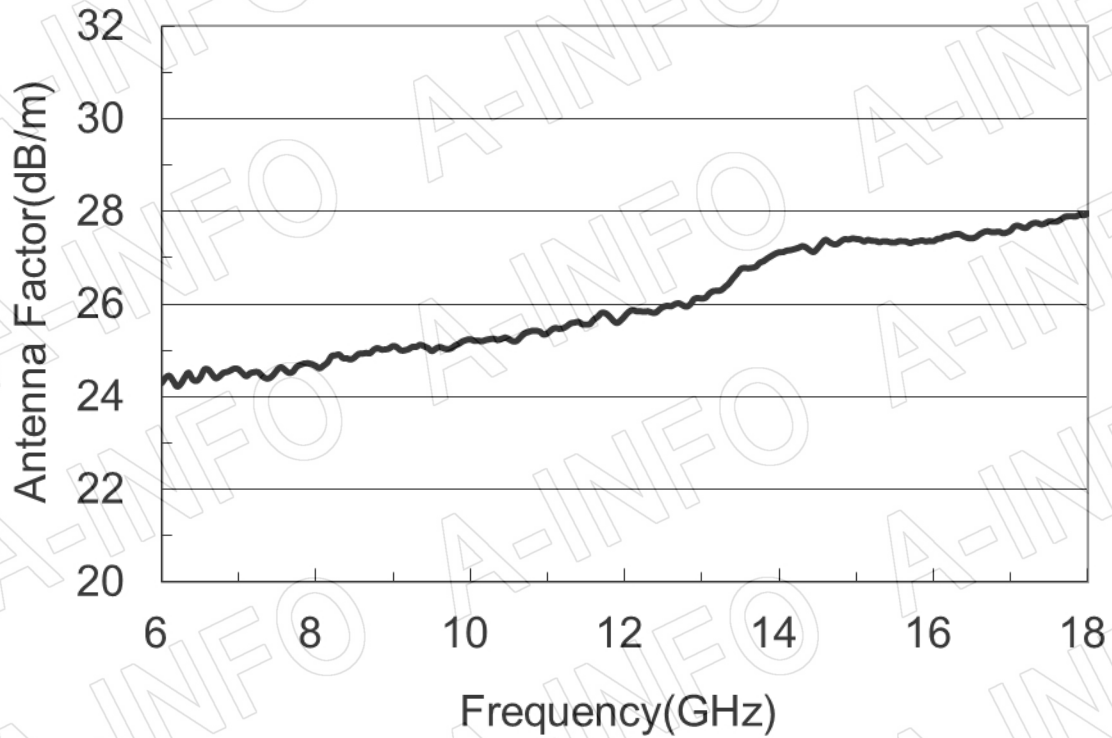
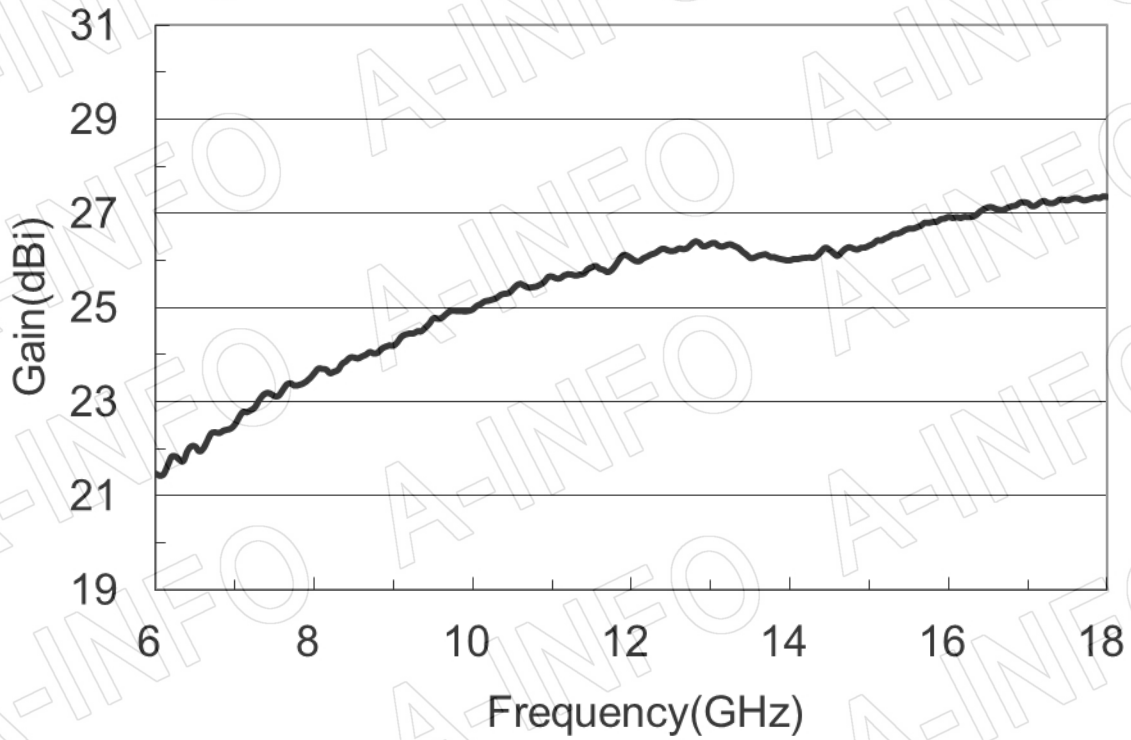
Page 7 of 14

(+86) 10-6266-7327 Fax: (+86) 10-6266-7379
 (+86) 28-8519-3044 Fax: (+86) 28-8519-3068
 (+1) 949-639-9608 Fax: (+1) 949-639-9670

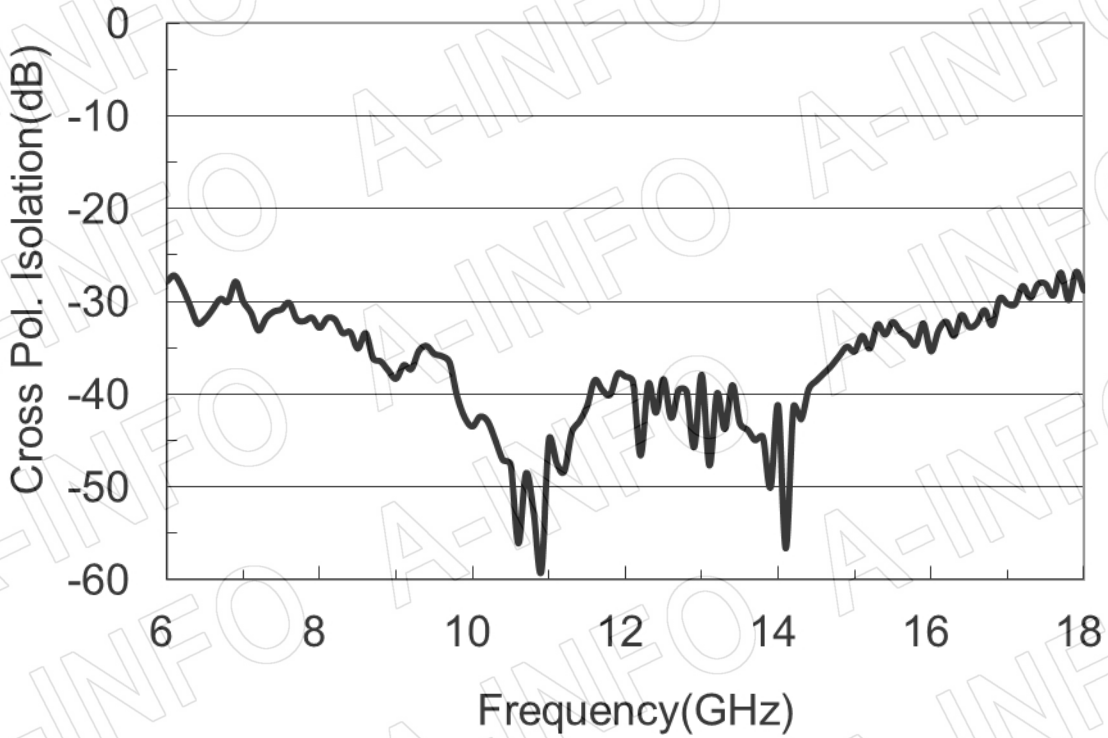
Website: www.ainfoinc.com
 Email: sales@ainfoinc.com

Test Results

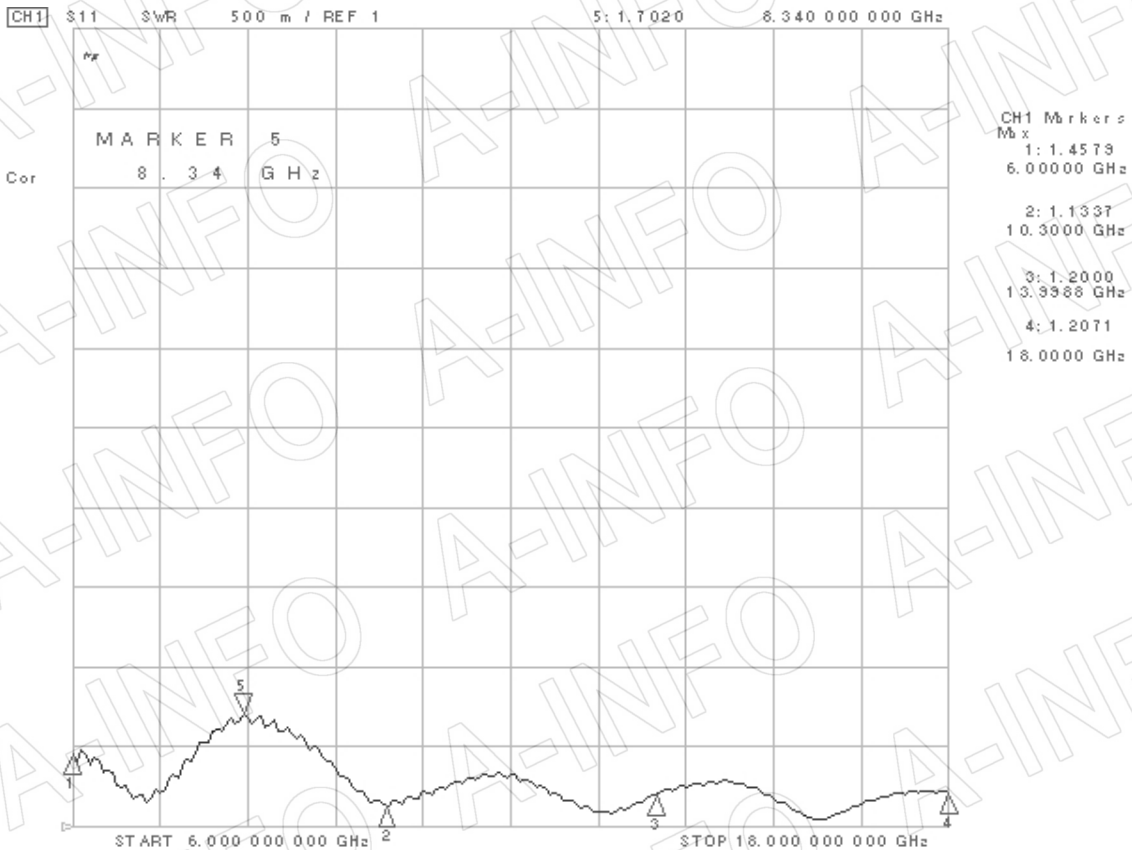
1. Gain & Antenna Factor



2. Cross Polarization Isolation



3. VSWR



4. Pattern

